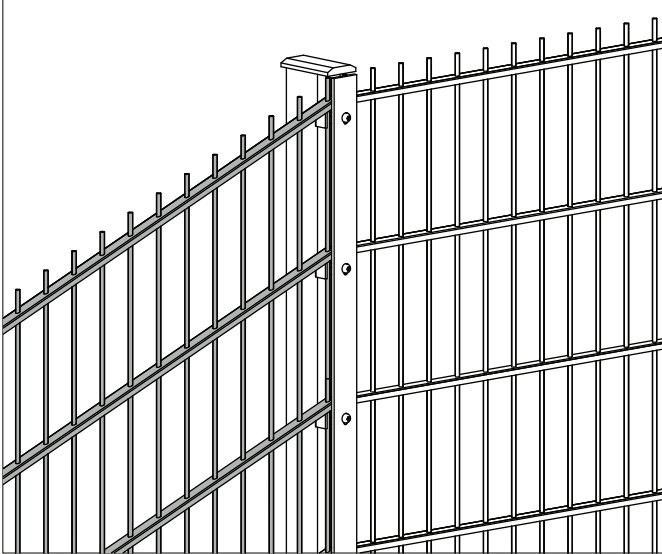
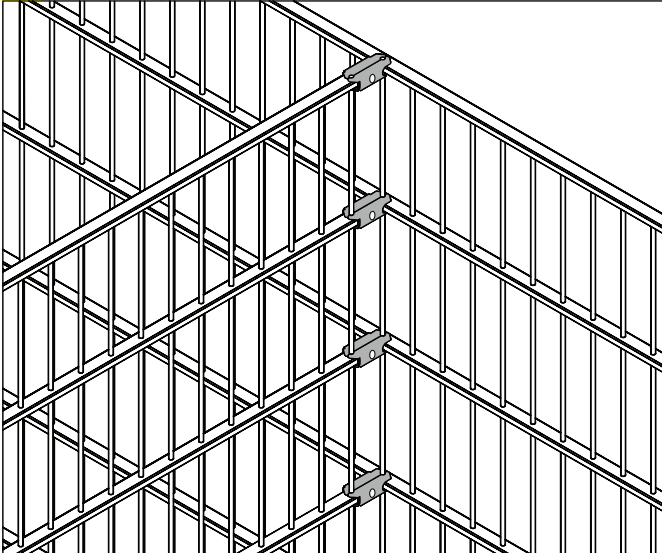


Slanting span



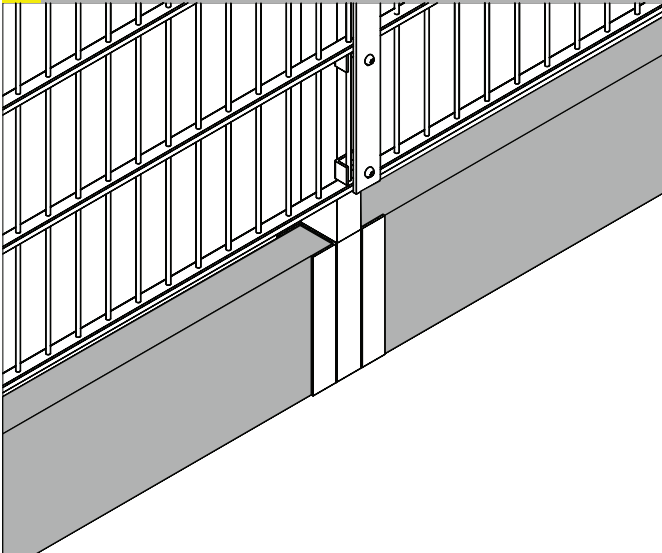
FORTE-SLANT system spans enable a gentle overcoming of the ground irregularity without making downcasts. Maximum slant $\pm 30^\circ$.

Corner junction



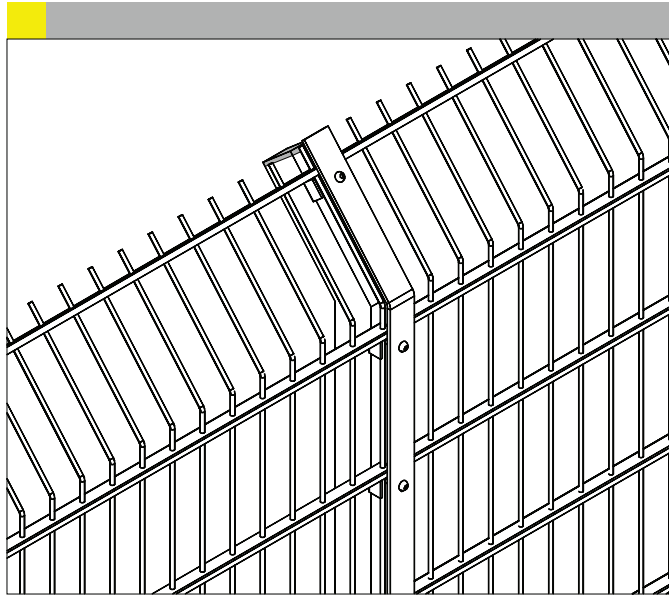
Corner junctions are used in producing cornerites of any angle (pic.) and enable branching of the fence without using a post. The picture shows plain **FORTE** mats (without 3 cm of vertical bars overmeasure diameter 6 mm).

Concrete slab

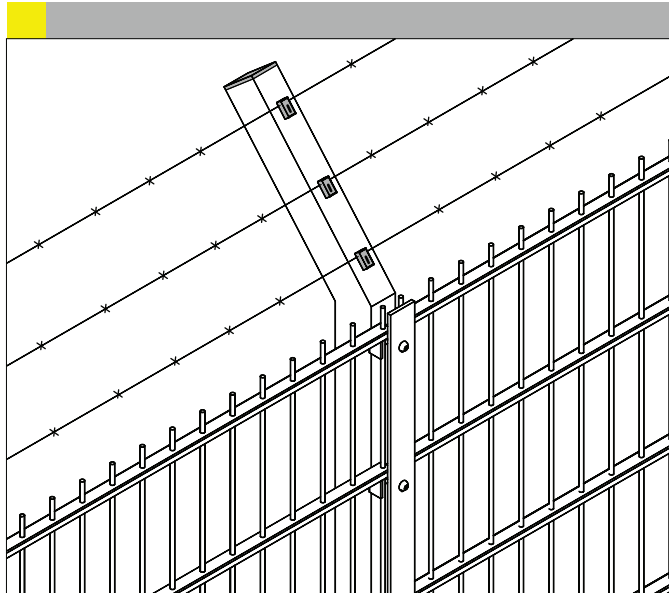


Prefabricated concrete elements replace the full foundation. They make an excellent completion of **FORTE** and **PIANO** type fences. We offer concrete slabs height 200 and 300 mm.

Bent mat and
a bent post



Bent post - 2 or 3 rows
of barbed wire



Y post - 6 rows
of barbed wire

