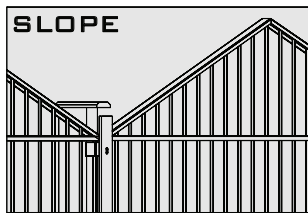
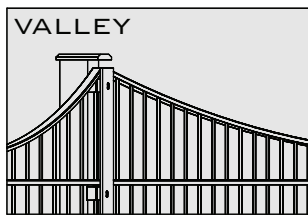
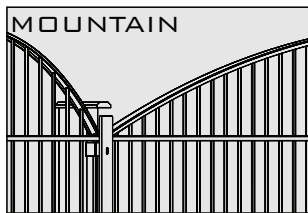
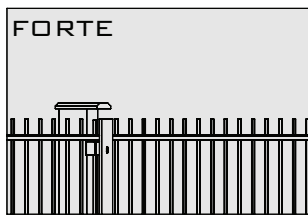


SYSTEM DISCRIPTION



The fencing system *FORTE* consists of posts made of steel cold bent sections and welded mats (spans). The filling panels are made as mats welded from vertical bars of 6 mm diameter and horizontal cold bent channel bars - size 20x9x2 mm. Vertical bars led through slots in channel bars are welded on every intersection picture 3. Created mesh has the size for example 50x200 mm.

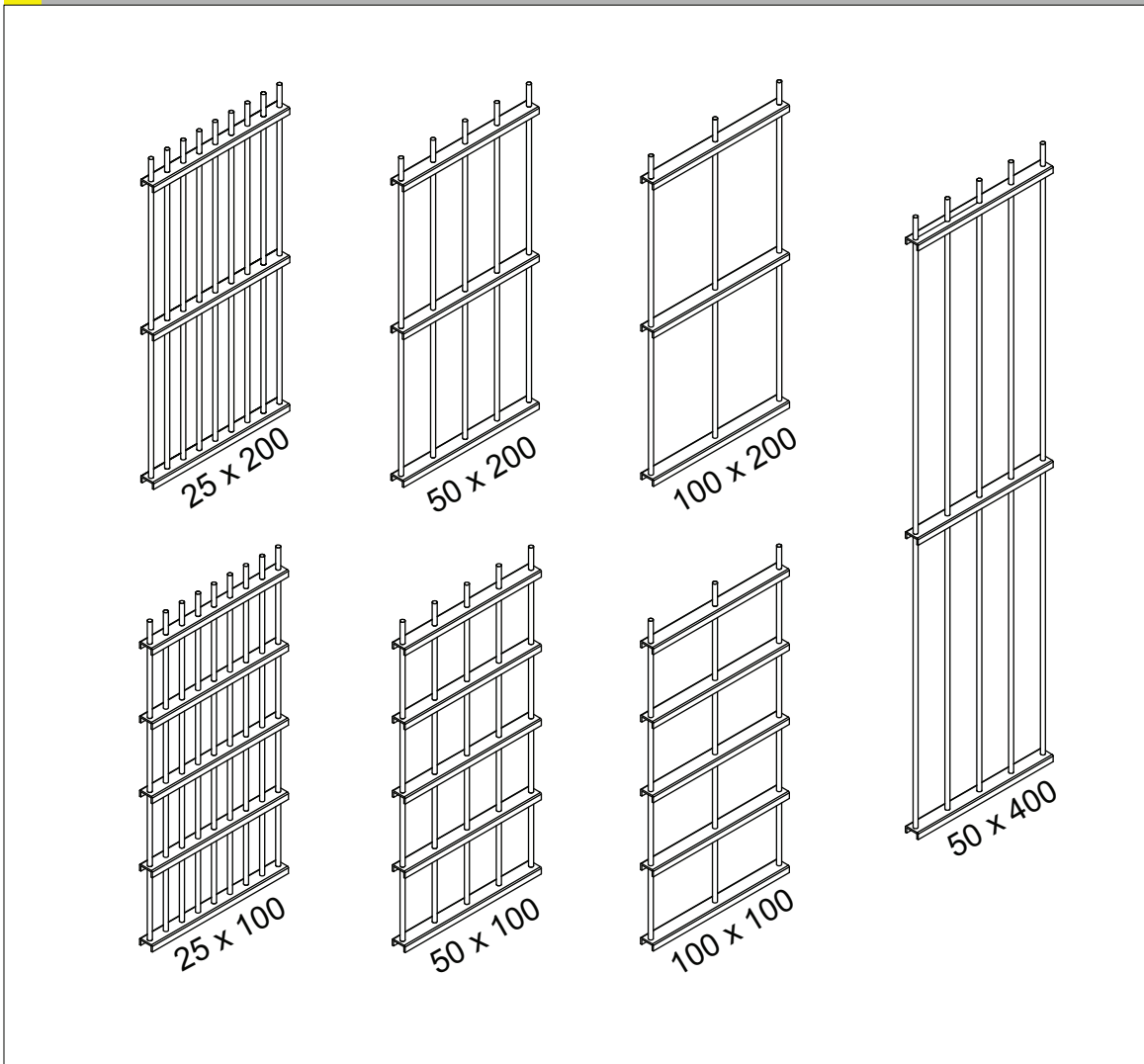
The width of mats is 2470 mm. The posts are arranged every 2480 mm. They can be ended with spot footing attaching the post to the foundation. The posts that are to be settled in the foundation are lengthened to minimum 600 mm. The panels are screwed to the posts with rust-proof screws and pressed down with a concealing strip. The posts are ended with plastic or metal covers.

The system consists of such fences as:

FORTE
MOUNTAIN
VALLEY
SLOPE

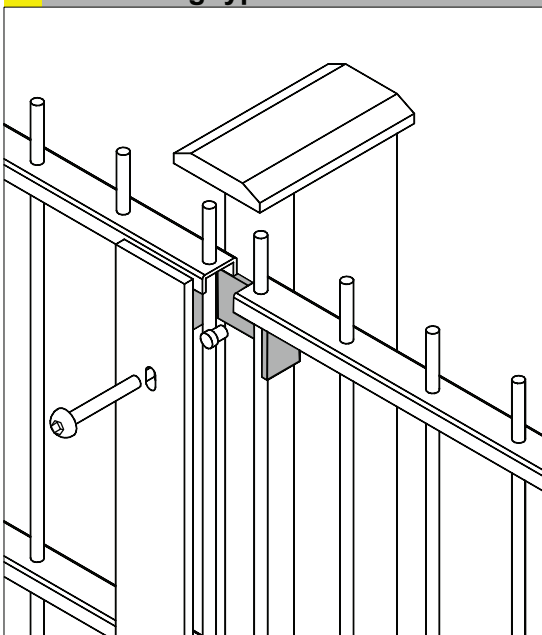
Fences for generations !

Mesh sizes



Pic.1

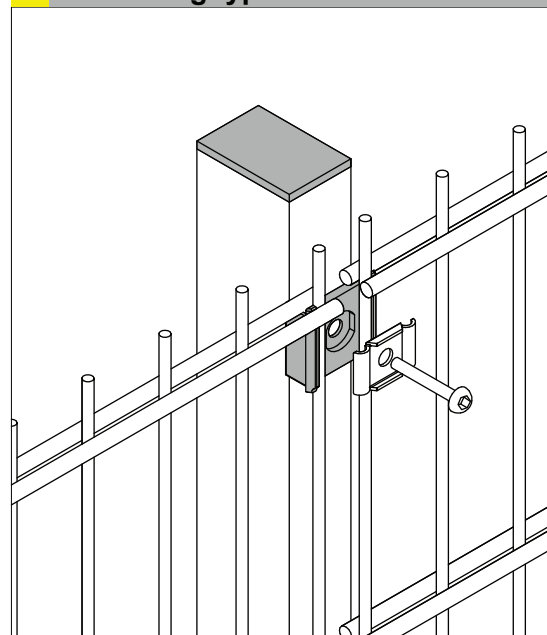
Fastening type I



Pic. 2

Fastening type II

NEW!



Pic. 3